

180° Pivot



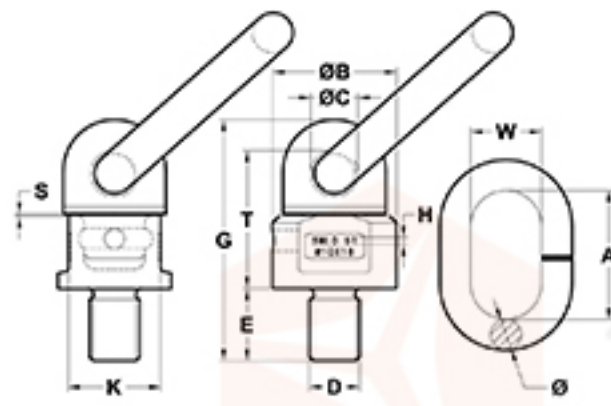
YXR1067

G80 UNIVERSAL REVOLVING RING

ITEM NO.	SIZE	WEIGHT (KG)	WLL (T)	B.L (T)	DIMENSIONS (MM)					
					A ± 3	B ± 3	C ± 2	Φ ± 1	L ± 4	F
YXR1067-01	M8x18	0.57	0.3	1.2	55	30	32.5	38	137	18
YX1067-02	M8x22	0.57	0.3	1.2	55	30	32.5	38	141	22
YX1067-03	M10x18	0.57	0.3	1.2	55	30	32.5	38	137	18
YX1067-04	M12x18	0.58	0.5	2	55	30	32.5	38	137	18
YX1067-05	M12x25	0.58	0.5	2	55	30	32.5	38	144	25
YX1067-06	M14x20	0.58	0.5	2	55	30	32.5	38	139	20
YX1067-07	M16x20	0.59	1.12	4.48	55	30	32.5	38	139	20
YX1067-08	M16x30	0.61	1.12	4.48	55	30	32.5	38	149	30
YX1067-09	M20x30	1.21	2	8	70	35	42.5	50	177	30
YX1067-10	M20x40	1.23	2	8	70	35	42.5	50	187	40
YX1067-11	M20x50	1.255	2	8	70	35	42.5	50	197	50
YX1067-12	M20x70	1.305	2	8	70	35	42.5	50	217	70
YX1067-13	M24x30	0.63	1.12	4.48	55	30	32.5	38	149	30
YX1067-14	M24x30	1.731	3.15	12.6	85	40	48	58	201	30
YX1067-15	M24x45	1.785	3.15	12.6	85	40	48	58	216	45
YX1067-16	M24x50	1.802	3.15	12.6	85	40	48	58	221	50
YX1067-17	M30x35	1.82	3.15	12.6	85	40	48	58	206	35
YX1067-18	M30x35	3.67	5.3	21.2	80	50	68	75	196	35
YX1067-19	M30x45	3.72	5.3	21.2	80	50	68	75	206	45
YX1067-20	M30x35	5.1	8	32	115	50	78	84	248	35
YX1067-21	M30x45	5.11	8	32	115	50	78	84	258	45
YX1067-22	M36x54	5.3	8	32	115	50	78	84	267	54

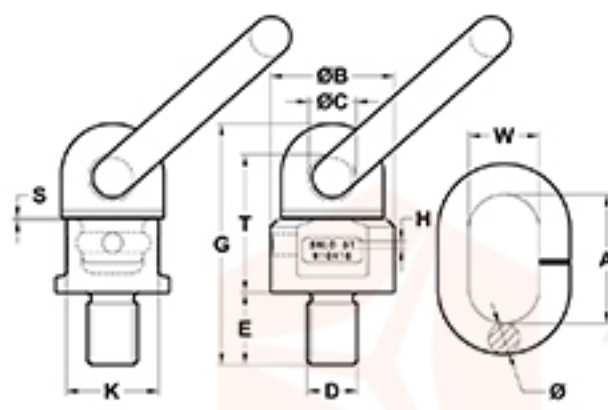
◆ Ultimate Load at 4 Times the Working Load Limit.

G80 LIFTING SCREW POINT



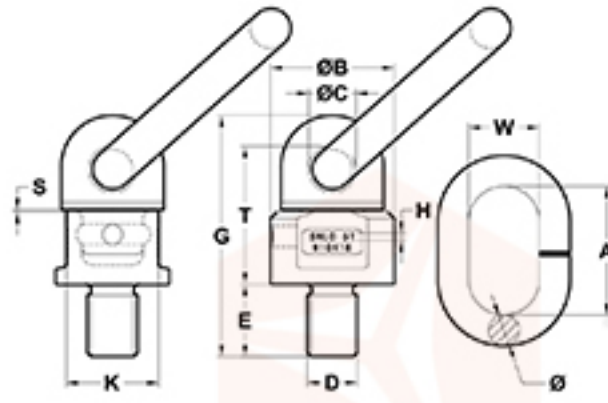
YXR1068

ITEM NO.	SIZE	WT (KG)	WLL(T) B.L(T)		DIMENSIONS (MM)									
			90°	0°	DXE	B±1.5	C	G±1.5	T±1.5	A±5	W±5	Φ±2	K±1	S±0.8
YXR1068-01	M8x13	0.45	0.3	0.6	M8x13	36	16.5	52	42.8	55	30	14	30	1
YXR1068-02	M8x18	0.45	0.3	0.6	M8x18	36	16.5	52	42.8	55	30	14	30	1
YXR1068-03	M8x20	0.45	0.3	0.6	M8x20	36	16.5	52	42.8	55	30	14	30	1
YXR1068-04	M8x23	0.45	0.3	0.6	M8x23	36	16.5	52	42.8	55	30	14	30	1
YXR1068-05	M8x30	0.45	0.3	0.6	M8x30	36	16.5	52	42.8	55	30	14	30	1
YXR1068-06	M8x32	0.45	0.3	0.6	M8x32	36	16.5	52	42.8	55	30	14	30	1
YXR1068-07	M8x43	0.46	0.3	0.6	M8x43	36	16.5	52	42.8	55	30	14	30	1
YXR1068-08	M10x10	0.45	0.5	1	M10x10	36	16.5	52	42.8	55	30	14	30	1
YXR1068-09	M10x15	0.45	0.5	1	M10x15	36	16.5	52	42.8	55	30	14	30	1
YXR1068-10	M10x18	0.45	0.5	1	M10x18	36	16.5	52	42.8	55	30	14	30	1
YXR1068-11	M10x20	0.45	0.5	1	M10x20	36	16.5	52	42.8	55	30	14	30	1
YXR1068-12	M10x25	0.45	0.5	1	M10x25	36	16.5	52	42.8	55	30	14	30	1
YXR1068-13	M10x27	0.46	0.5	1	M10x27	36	16.5	52	42.8	55	30	14	30	1
YXR1068-14	M10x30	0.46	0.5	1	M10x30	36	16.5	52	42.8	55	30	14	30	1
YXR1068-15	M10x40	0.46	0.5	1	M10x40	36	16.5	52	42.8	55	30	14	30	1
YXR1068-16	M10x50	0.47	0.5	1	M10x50	36	16.5	52	42.8	55	30	14	30	1
YXR1068-17	M10x90	0.50	0.5	1	M10x90	36	16.5	52	42.8	55	30	14	30	1
YXR1068-18	M12x18	0.46	0.5	1	M12x18	36	16.5	52	42.8	55	30	14	30	1
YXR1068-19	M12x20	0.46	0.5	1	M12x20	36	16.5	52	42.8	55	30	14	30	1
YXR1068-20	M12x27	0.46	0.5	1	M12x27	36	16.5	52	42.8	55	30	14	30	1
YXR1068-21	M12x30	0.47	0.5	1	M12x30	36	16.5	52	42.8	55	30	14	30	1
YXR1068-22	M12x31	0.47	0.5	1	M12x31	36	16.5	52	42.8	55	30	14	30	1
YXR1068-23	M12x35	0.47	0.5	1	M12x35	36	16.5	52	42.8	55	30	14	30	1
YXR1068-24	M12x40	0.47	0.5	1	M12x40	36	16.5	52	42.8	55	30	14	30	1
YXR1068-25	M12x45	0.48	0.5	1	M12x45	36	16.5	52	42.8	55	30	14	30	1
YXR1068-26	M12x48	0.48	0.5	1	M12x48	36	16.5	52	42.8	55	30	14	30	1
YXR1068-27	M12x110	0.54	0.5	1	M12x110	36	16.5	52	42.8	55	30	14	30	1
YXR1068-28	M14x20	0.49	1.12	2	M14x20	36	16.5	52	42.8	55	30	14	30	1
YXR1068-29	M16x20	0.47	1.12	2	M16x20	36	16.5	52	42.8	55	30	14	30	1
YXR1068-30	M16x24	0.48	1.12	2	M16x24	36	16.5	52	42.8	55	30	14	30	1
YXR1068-31	M16x27	0.49	1.12	2	M16x27	36	16.5	52	42.8	55	30	14	30	1
YXR1068-32	M16x30	0.49	1.12	2	M16x30	36	16.5	52	42.8	55	30	14	30	1
YXR1068-33	M16x35	0.49	1.12	2	M16x35	36	16.5	52	42.8	55	30	14	30	1
YXR1068-34	M16x40	0.50	1.12	2	M16x40	36	16.5	52	42.8	55	30	14	30	1
YXR1068-35	M16x46	0.51	1.12	2	M16x46	36	16.5	52	42.8	55	30	14	30	1
YXR1068-36	M16x50	0.52	1.12	2	M16x50	36	16.5	52	42.8	55	30	14	30	1
YXR1068-37	M16x64	0.54	1.12	2	M16x64	36	16.5	52	42.8	55	30	14	30	1
YXR1068-38	M16x80	0.57	1.12	2	M16x80	36	16.5	52	42.8	55	30	14	30	1
YXR1068-39	M16x100	0.60	1.12	2	M16x100	36	16.5	52	42.8	55	30	14	30	1
YXR1068-40	M16x120	0.63	1.12	2	M16x120	36	16.5	52	42.8	55	30	14	30	1
YXR1068-41	M16x300	0.91	1.12	2	M16x300	36	16.5	52	42.8	55	30	14	30	1
YXR1068-42	M18x30	0.95	2	4	M18x30	49.5	19	69	57	70	35	16	41	1
YXR1068-43	M20x20	0.97	2	4	M20x20	49.5	19	69	57	70	35	16	41	1
YXR1068-44	M20x30	0.99	2	4	M20x30	49.5	19	69	57	70	35	16	41	1
YXR1068-45	M20x35	1.01	2	4	M20x35	49.5	19	69	57	70	35	16	41	1
YXR1068-46	M20x40	1.02	2	4	M20x40	49.5	19	69	57	70	35	16	41	1
YXR1068-47	M20x43	1.02	2	4	M20x43	49.5	19	69	57	70	35	16	41	1
YXR1068-48	M20x50	1.04	2	4	M20x50	49.5	19	69	57	70	35	16	41	1
YXR1068-49	M20x55	1.05	2	4	M20x55	49.5	19	69	57	70	35	16	41	1



YXR1068

ITEM NO.	SIZE	WT (KG)	WLL(T) B.L(T)		DIMENSIONS (MM)									
			90°	0°	DXE	B±1.5	C	G±1.5	T±1.5	A±5	W±5	Φ±2	K±1	S±0.8
YXR1068-50	M20x75	1.10	2	4	M20x75	49.5	19	69	57	70	35	16	41	1
YXR1068-51	M20x80	1.12	2	4	M20x80	49.5	19	69	57	70	35	16	41	1
YXR1068-52	M20x120	1.21	2	4	M20x120	49.5	19	69	57	70	35	16	41	1
YXR1068-53	M24x30	1.33	3.15	6.3	M24x30	57	22	79.5	67	85	40	18	46	1.5
YXR1068-54	M24x36	1.35	3.15	6.3	M24x36	57	22	79.5	67	85	40	18	46	1.5
YXR1068-55	M24x38	1.36	3.15	6.3	M24x38	57	22	79.5	67	85	40	18	46	1.5
YXR1068-56	M24x40	1.36	3.15	6.3	M24x40	57	22	79.5	67	85	40	18	46	1.5
YXR1068-57	M24x45	1.38	3.15	6.3	M24x45	57	22	79.5	67	85	40	18	46	1.5
YXR1068-58	M24x50	1.4	3.15	6.3	M24x50	57	22	79.5	67	85	40	18	46	1.5
YXR1068-59	M24x73	1.48	3.15	6.3	M24x73	57	22	79.5	67	85	40	18	46	1.5
YXR1068-60	M24x90	1.54	3.15	6.3	M24x90	57	22	79.5	67	85	40	18	46	1.5
YXR1068-61	M24x96	1.56	3.15	6.3	M24x96	57	22	79.5	67	85	40	18	46	1.5
YXR1068-62	M24x120	1.65	3.15	6.3	M24x120	57	22	79.5	67	85	40	18	46	1.5
YXR1068-63	M24x300	2.29	3.15	6.3	M24x300	57	22	79.5	67	85	40	18	46	1.5
YXR1068-64	M27x35	1.47	3.15	6.3	M27x35	57	22	79.5	67	85	40	18	46	1.5
YXR1068-65	M30x35	2.3	5.3	10.6	M30x35	66	23.5	98	82	85	40	20	54	1.5
YXR1068-66	M30x38	2.32	5.3	10.6	M30x38	66	23.5	98	82	85	40	20	54	1.5
YXR1068-67	M30x45	2.36	5.3	10.6	M30x45	66	23.5	98	82	85	40	20	54	1.5
YXR1068-68	M30x60	2.49	5.3	10.6	M30x60	66	23.5	98	82	85	40	20	54	1.5
YXR1068-69	M30x75	2.53	5.3	10.6	M30x75	66	23.5	98	82	85	40	20	54	1.5
YXR1068-70	M30x120	2.78	5.3	10.6	M30x120	66	23.5	98	82	85	40	20	54	1.5
YXR1068-71	M30x160	3	5.3	10.6	M30x160	66	23.5	98	82	85	40	20	54	1.5
YXR1068-72	M30x35	3.73	8	11.8	M30x35	80	28	114	94	115	50	22	64	2
YXR1068-73	M30x38	3.75	8	11.8	M30x38	80	28	114	94	115	50	22	64	2
YXR1068-74	M30x45	3.79	8	11.8	M30x45	80	28	114	94	115	50	22	64	2
YXR1068-75	M30x50	3.82	8	11.8	M30x50	80	28	114	94	115	50	22	64	2
YXR1068-76	M30x55	3.84	8	11.8	M30x55	80	28	114	94	115	50	22	64	2
YXR1068-77	M30x98	4.08	8	11.8	M30x98	80	28	114	94	115	50	22	64	2
YXR1068-78	M30x120	4.21	8	11.8	M30x120	80	28	114	94	115	50	22	64	2
YXR1068-79	M30x140	4.32	8	11.8	M30x140	80	28	114	94	115	50	22	64	2
YXR1068-80	M36x50	3.88	8	11.8	M36x50	80	28	111	92	115	50	22	65	2
YXR1068-81	M36x53	3.9	8	11.8	M36x53	80	28	111	92	115	50	22	65	2
YXR1068-82	M36x60	3.96	8	11.8	M36x60	80	28	111	92	115	50	22	65	2
YXR1068-83	M36x90	4.2	8	11.8	M36x90	80	28	111	92	115	50	22	65	2
YXR1068-84	M36x128	4.5	8	11.8	M36x128	80	28	111	92	115	50	22	65	2
YXR1068-85	M36x140	4.6	8	11.8	M36x140	80	28	111	92	115	50	22	65	2
YXR1068-86	M36x160	4.76	8	11.8	M36x160	80	28	111	92	115	50	22	65	2
YXR1068-87	M36x220	5.24	8	11.8	M36x220	80	28	111	92	115	50	22	65	2
YXR1068-88	M36x300	5.88	8	11.8	M36x300	80	28	111	92	115	50	22	65	2
YXR1068-89	M36x330	6.12	8	11.8	M36x330	80	28	111	92	115	50	22	65	2
YXR1068-90	M36x400	6.67	8	11.8	M36x400	80	28	111	92	115	50	22	65	2
YXR1068-91	M39x50	3.95	8	11.8	M39x50	80	28	111	92	115	50	22	65	2
YXR1068-92	M39x60	4.04	8	11.8	M39x60	80	28	111	92	115	50	22	65	2
YXR1068-93	M39x90	4.32	8	11.8	M39x90	80	28	111	92	115	50	22	65	2
YXR1068-94	M42x50	4.46	10	15	M42x50	80	28	111	92	115	50	25	65	2.5
YXR1068-95	M42x60	4.57	10	15	M42x60	80	28	111	92	115	50	25	65	2.5
YXR1068-96	M42x63	4.6	10	15	M42x63	80	28	111	92	115	50	25	65	2.5
YXR1068-97	M42x130	5.33	10	15	M42x130	80	28	111	92	115	50	25	65	2.5
YXR1068-98	M42x160	5.66	10	15	M42x160	80	28	111	92	115	50	25	65	2.5
YXR1068-99	M42x180	5.87	10	15	M42x180	80	28	111	92	115	50	25	65	2.5

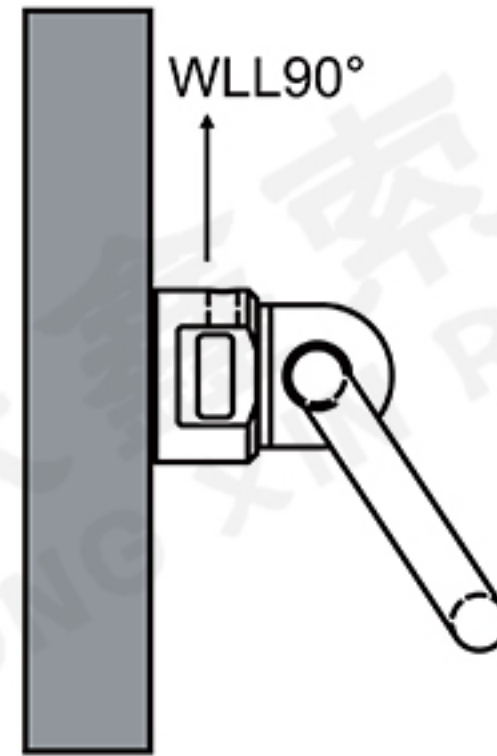
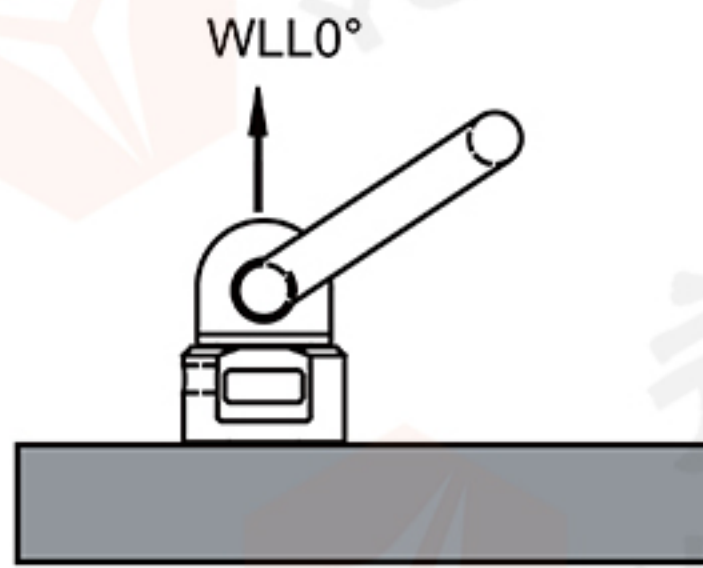


YXR1068

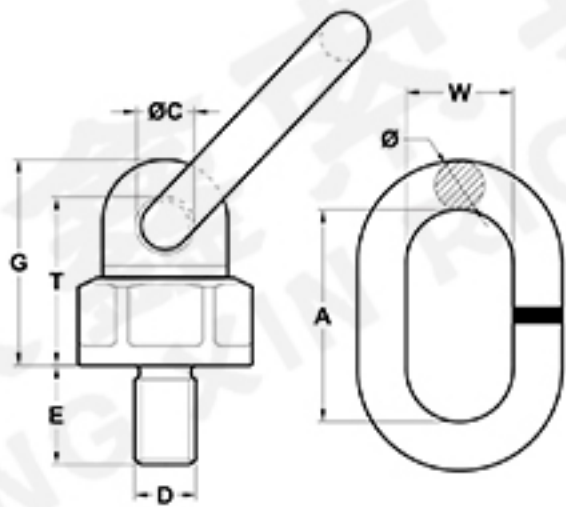


ITEM NO.	SIZE	WT (KG)	WLL(T) B.L(T)		DIMENSIONS (MM)									
			90°	0°	D	X	E	C	G±1.5	T±1.5	A±5	W±5	Φ±2	K±1
YXR1068-100	M45x60	4.7	10	15	M45x60	80	28	111	92	115	50	25	65	2.5
YXR1068-101	M48x50	4.63	10	15	M48x50	80	28	111	92	115	50	25	65	2.5
YXR1068-102	M48x60	4.77	10	15	M48x60	80	28	111	92	115	50	25	65	2.5
YXR1068-103	M48x70	4.91	10	15	M48x70	80	28	111	92	115	50	25	65	2.5
YXR1068-104	M48x72	4.94	10	15	M48x72	80	28	111	92	115	50	25	65	2.5
YXR1068-105	M48x110	5.48	10	15	M48x110	80	28	111	92	115	50	25	65	2.5
YXR1068-106	M48x160	6.19	10	15	M48x160	80	28	111	92	115	50	25	65	2.5
YXR1068-107	M48x245	7.39	10	15	M48x245	80	28	111	92	115	50	25	65	2.5
YXR1068-108	M56x84	11.8	15	25	M56x84	117	42	166	134	152	70	32	95	2.5
YXR1068-109	M64x95	12.5	15	25	M64x95	117	42	166	134	152	70	32	95	2.5

- ◆ WLL ant 0° and WLL 90°
- ◆ Ultimate Load at 4 Times the Working Load Limit.



G80 LIFTING SCREW POINT



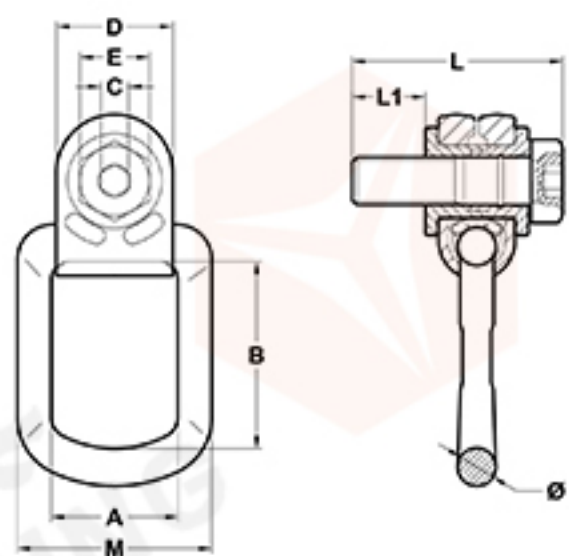
YXR1069



ITEM NO.	SIZE	WT (KG)	WLL(T) B.L(T)		DIMENSIONS (MM)							
			90°	0°	D	X	E	C ± 2	G ± 1	T ± 2	A ± 5	W ± 5
YXR1069-01	M8x13	0.54	0.3	0.6	M8x13	16.5	53	42	55	30	14	
YXR1069-02	M10x18	0.54	0.45	0.9	M10x18	16.5	53	42	55	30	14	
YXR1069-03	M12x20	0.55	0.5	1	M12x20	16.5	53	42	55	30	14	
YXR1069-04	M14x20	0.55	1.12	2	M14x20	16.5	53	42	55	30	14	
YXR1069-05	M16x25	0.57	1.12	2	M16x25	16.5	53	42	55	30	14	
YXR1069-06	M20x33	1.11	2	4	M20x33	19	68	56	70	35	16	
YXR1069-07	M24x40	1.70	3.15	6.3	M24x40	22	78	65.5	85	40	18	
YXR1069-08	M27x40	1.70	3.15	6.3	M27x40	22	78	65.5	85	40	18	
YXR1069-09	M30x50	2.55	5.3	10.6	M30x50	23.5	97	81	115	40	20	
YXR1069-10	M30x50	3.90	8	11.8	M30x50	28	113	93	115	50	22	
YXR1069-11	M36x54	3.90	8	11.8	M36x54	28	110	90	115	50	22	
YXR1069-12	M39x54	4.00	8	11.8	M39x54	28	110	90	115	50	22	
YXR1069-13	M42x63	4.54	10	15	M42x63	28	110	90	115	50	25	
YXR1069-14	M48x68	4.82	10	15	M48x68	28	110	90	115	50	25	
YXR1069-15	M56x84	12.00	15	30	M56x84	42	165	133	152	70	32	
YXR1069-16	M64x95	12.75	15	30	M64x95	42	165	133	152	70	32	

- ◆ Ultimate Load at 4 Times the Working Load Limit.

G80 PIVOTIG LIFTING SCREW

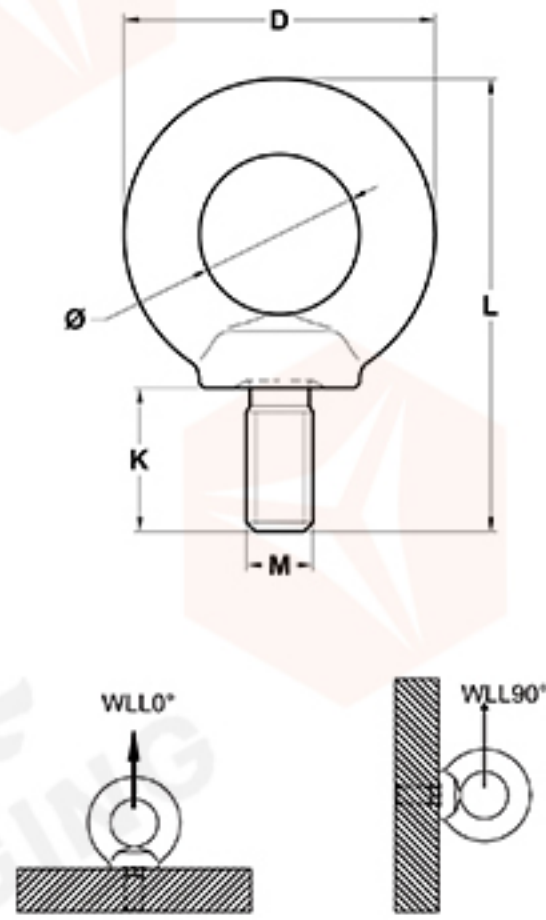


YXR1070

ITEM NO.	SIZE	WT (KG)	WLL (T)	B.L (T)	DIMENSIONS (MM)								
					A±1	B±1	C	D	E	M±1.5	L±1.5	L1±1.5	Φ±1.5
YXR1070-01	M8	0.36	0.3	1.2	35	52.5	6	30	13	45	46	10.4	14
YXR1070-02	M8x76	0.39	0.3	1.2	35	52.5	6	30	13	45	46	76	14
YXR1070-03	M10	0.38	0.63	2.52	35	52.5	6	30	17	45	52	16	14
YXR1070-04	M10x96	0.43	0.63	2.52	35	52.5	6	30	17	45	52	96	14
YXR1070-05	M12	0.71	1	4	40	54	8	36	19	68	158	18	18
YXR1070-06	M12x114	0.80	1	4	40	54	8	36	19	68	66	114	18
YXR1070-07	M14	0.72	1.2	4.8	40	54	8	36	19	68	185	21	18
YXR1070-08	M14x140	0.86	1.2	4.8	40	54	10	36	22	68	70	140	18
YXR1070-09	M16	0.74	1.5	6	40	54	8	36	19	68	70	24	18
YXR1070-10	M16x30	0.74	1.5	6	40	54	8	36	19	68	70	30	18
YXR1070-11	M16x40	0.75	1.5	6	40	54	8	36	19	68	146	40	18
YXR1070-12	M16x100	0.85	1.5	6	40	54	10	36	24	68	195	100	18
YXR1070-13	M16x149	0.92	1.5	6	40	54	10	36	24	68	240	149	18
YXR1070-14	M16x194	0.99	1.5	6	40	54	10	36	24	68	240	194	18
YXR1070-15	M18x26	1.16	2	8	54	80	12	50	30	83	83	26	16
YXR1070-16	M18x180	1.47	2	8	54	80	12	50	30	83	237	180	16
YXR1070-17	M20	1.19	2.5	10	54	80	12	50	30	83	88	30	16
YXR1070-18	M20x55	1.21	2.5	10	54	80	12	50	30	83	113	55	16
YXR1070-19	M20x60	1.25	2.5	10	54	80	12	50	30	83	118	60	16
YXR1070-20	M20x100	1.57	2.5	10	54	80	12	50	30	83	156	100	16
YXR1070-21	M20x187	2.27	2.5	10	54	80	12	50	30	83	118	187	16
YXR1070-22	M24x35	1.35	4	16	54	94	14	50	36	83	95	35	18
YXR1070-23	M24x40	1.38	4	16	54	94	14	50	36	83	100	40	18
YXR1070-24	M24x60	1.46	4	16	54	94	14	50	36	83	120	60	18
YXR1070-25	M24x80	1.54	4	16	54	94	14	50	36	83	138	80	18
YXR1070-26	M24x100	1.62	4	16	54	94	14	50	36	83	158	100	18
YXR1070-27	M24x222	2.11	4	16	54	94	14	50	36	83	120	222	18
YXR1070-28	M27	4.18	4	16	73	106	17	73	41	120	120	38	27
YXR1070-29	M27x270	5.22	4	16	73	106	17	73	41	120	352	270	27
YXR1070-30	M30	4.40	5	20	73	106	17	73	41	120	132	48	27
YXR1070-31	M30x70	4.19	5	20	73	106	17	73	41	120	154	70	27
YXR1070-32	M30x279	5.35	5	20	73	106	17	73	41	120	154	279	27
YXR1070-33	M36x54	4.65	7	28	73	106	17	73	41	120	142	54	27
YXR1070-34	M36x62	7.60	8	32	94	140.5	22	94	55	156	163	62	21
YXR1070-35	M36x70	4.80	7	28	73	106	17	73	41	120	158	70	27
YXR1070-36	M36x223	8.94	8	32	94	140.5	22	94	55	156	324	223	31
YXR1070-37	M42	8.20	10	40	94	140.5	24	94	65	156	176	72	31
YXR1070-38	M42x63	12.40	15	60	104	155	24	104	65	176	179	63	40
YXR1070-39	M42x263	14.60	15	60	104	155	24	104	65	176	379	263	40
YXR1070-40	M48x74	13.00	20	80	104	155	27	104	75	176	194	74	40
YXR1070-41	M48x295	16.10	20	80	104	155	27	104	75	176	194	295	40

◆ Ultimate Load at 4 Times the Working Load Limit.

G80 EYE SCREW

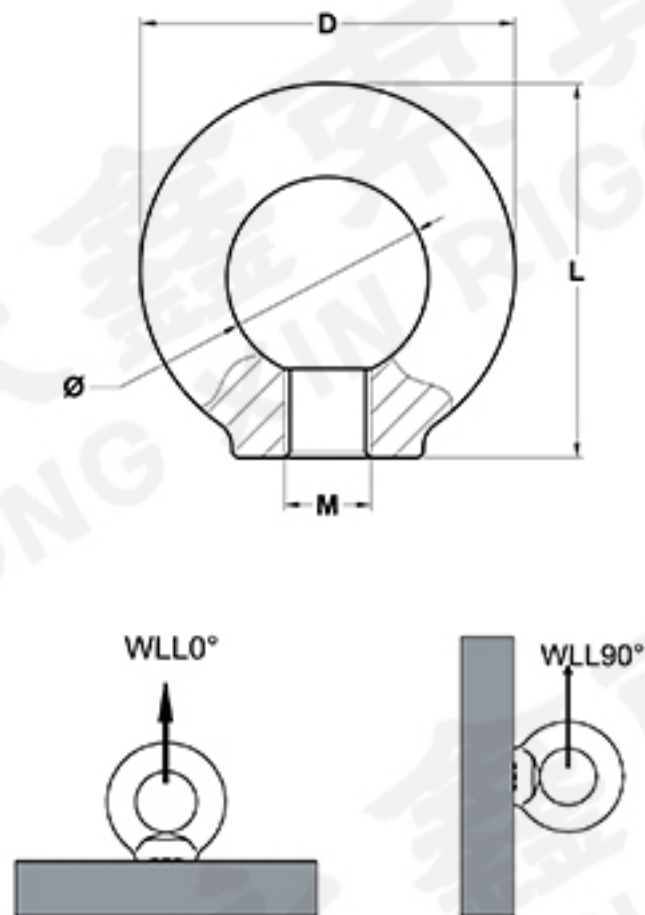


YXR1071

ITEM NO.	SIZE	WEIGHT (KG)	WLL(T) B.L(T)		DIMENSIONS (MM)			
			0°	90°	D	K	Φ	L
YXR1071-01	M6	0.05	0.4	0.15	28	13	16	42
YXR1071-02	M8	0.06	0.8	0.4	36	15	20	51
YXR1071-03	M10	0.11	1	0.4	45	18	25	63
YXR1071-04	M12	0.18	2	0.75	54	22	30	75
YXR1071-05	M14	0.28	3	1	63	28	35	89.5
YXR1071-06	M16	0.29	4	1.5	63	28	35	90
YXR1071-07	M18	0.42	5	2	72	30	40	101
YXR1071-08	M20	0.45	6	2.3	72	30	40	101
YXR1071-09	M22	0.67	7	2.8	81	34.5	45	115.5
YXR1071-10	M24	0.87	8	3.2	90	38	50	128
YXR1071-11	M27	0.88	10	4	90	38	60	128
YXR1071-12	M30	1.66	12	4.5	108	45	60	154
YXR1071-13	M33	1.72	14	5	108	45	60	154
YXR1071-14	M36	2.65	16	7	126	55	70	183
YXR1071-15	M39	2.80	20	8	126	55	70	183
YXR1071-16	M42	4.03	24	9	144	65	80	212
YXR1071-17	M45	4.25	28	10	144	65	80	212
YXR1071-18	M48	6.38	32	12	166	70	90	238
YXR1071-19	M52	6.60	36	13.5	166.5	70	90	238
YXR1071-20	M56	8.80	40	15	184	80	100	267
YXR1071-21	M64	12.40	50	17	206	90	110	293

◆ Ultimate Load at 4 Times the Working Load Limit.

G80 EYE NUT

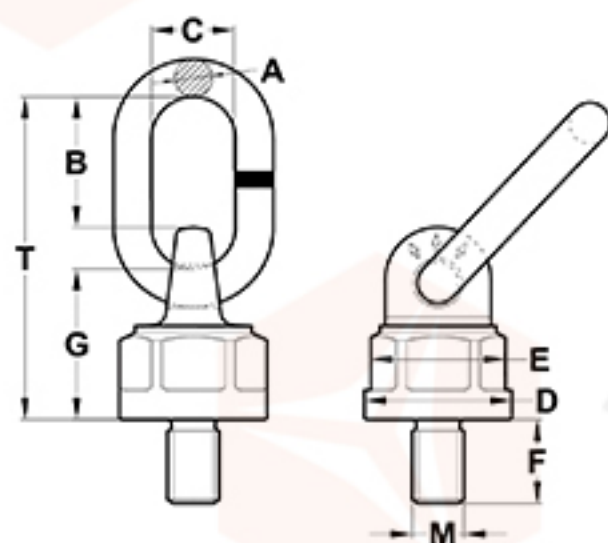


YXR1072

ITEM NO.	SIZE	WEIGHT (KG)	WLL(T) (4:1)		DIMENSIONS (MM)		
			0°	90°	D	Φ	L
YXR1072-01	M6	0.05	0.4	0.15	36	20	36
YXR1072-02	M8	0.05	0.8	0.4	36	20	36
YXR1072-03	M10	0.09	1	0.4	45	25	45
YXR1072-03	M12	0.16	2	0.75	54	30	53
YXR1072-04	M14	0.24	3	1	63	35	62
YXR1072-05	M16	0.24	4	1.5	63	35	62
YXR1072-06	M18	0.34	5	2	72	40	71
YXR1072-07	M20	0.36	6	2.3	72	40	71
YXR1072-08	M22	0.58	7	2.8	81	45	81
YXR1072-09	M24	0.72	8	3.2	90	50	90
YXR1072-10	M27	0.72	10	4	90	50	90
YXR1072-11	M30	1.32	12	4.5	108	60	109
YXR1072-12	M33	1.29	14	5	108	60	109
YXR1072-13	M36	2.10	16	7	126	70	128
YXR1072-14	M39	2.09	20	8	126	70	128
YXR1072-15	M42	3.11	24	9	144	80	147
YXR1072-16	M45	3.05	28	10	144	80	147
YXR1072-17	M48	5.02	32	12	166	90	168
YXR1072-18	M52	4.94	36	13.5	166	90	168
YXR1072-19	M56	6.69	40	15	184	100	187
YXR1072-20	M64	9.30	50	17	206	110	208

◆ Ultimate Load at 4 Times the Working Load Limit.

G80 SWIVEL HOIST RING

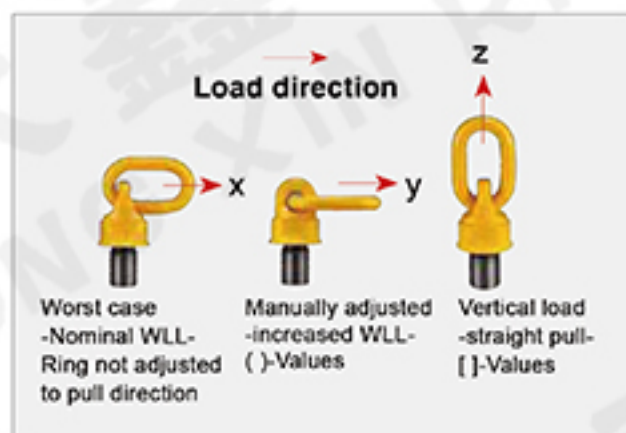


230° Pivot

360° Rotation



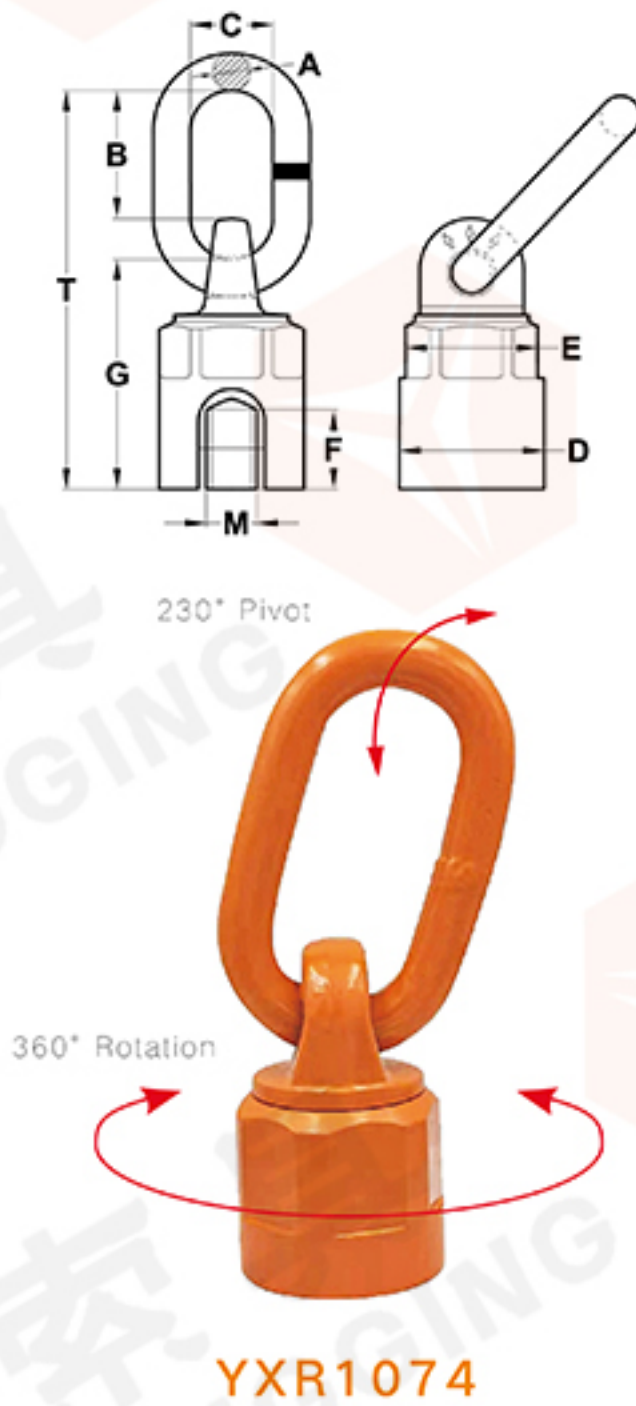
YXR1073



ITEM NO.	SIZE	WEIGHT (KG)	WLL (T)	THREAD (M)	DIMENSIONS (MM)							
					F	A	B	C	D	E	G	T
YXR1073-01	M8	0.44	0.4	M8x1.25-6g	12	12	44	30	40	37	46	98
YXR1073-02	M10	0.45	0.6	M10x1.5-6g	19	12	44	30	40	37	46	98
YXR1073-03	M12-S	0.45	0.7	M12x1.75-6g	19	12	44	30	40	37	46	98
YXR1073-04	M14	0.45	1.25	M14x2.0-6g	31.8	12	44	30	40	37	46	98
YXR1073-05	M16-S	0.48	1.5	M16x2.0-6g	31.8	12	44	30	40	37	46	98
YXR1073-06	M12-B	1.15	1.05	M12x1.75-6g	19	16	56.5	34	59	54.5	64.5	134.5
YXR1073-07	M16-B	1.35	1.9	M16x2.0-6g	30	16	56.5	34	59	54.5	64.5	134.5
YXR1073-08	M18-S	1.35	1.9	M18x2.5-6g	30	16	56.5	34	59	54.5	64.5	134.5
YXR1073-09	M20-S	1.4	2	M20x2.5-6g	30	16	56.5	34	59	54.5	64.5	134.5
YXR1073-10	M22-S	1.4	2	M22x2.5-6g	30	16	56.5	34	59	54.5	64.5	134.5
YXR1073-11	M24-S	1.4	3.15	M24x3.0-6g	30	16	56.5	34	59	54.5	64.5	134.5
YXR1073-12	M18-B	2.3	2	M18x2.5-6g	38.1	20	67	40	70	64.3	76	160
YXR1073-13	M20-B	2.3	2.5	M20x2.5-6g	38.1	20	67	40	70	64.3	76	160
YXR1073-14	M22-B	2.35	2.5	M22x2.5-6g	38.1	20	67	40	70	64.3	76	160
YXR1073-15	M24-B	2.35	4	M24x3.0-6g	38.1	20	67	40	70	64.3	76	160
YXR1073-16	M27	2.35	4	M27x3.0-6g	38.1	20	67	40	70	64.3	76	160
YXR1073-17	M30	3.75	6	M30x3.5-6g	50	22	95	51	79	74	91	206
YXR1073-18	M33	3.8	7.5	M33x3.5-6g	50	22	95	51	79	74	91	206
YXR1073-19	M36	3.9	10	M36x4.0-6g	54	22	95	51	79	74	91	206
YXR1073-20	M39	4	10	M39x4.0-6g	58	22	95	51	79	74	91	206
YXR1073-21	M42	5.9	13	M42x4.5-6g	63	26	108	65	93	85	100.5	230.5
YXR1073-22	M45	6	13	M45x4.5-6g	68	26	108	65	93	85	100.5	230.5
YXR1073-23	M48	6.15	14	M48x5.0-6g	68	26	108	65	93	85	100.5	230.5
YXR1073-24	M52	10	20	M52x5.0-6g	84	32	120	70	105	95	132	278
YXR1073-25	M56	10	20	M56x5.5-6g	84	32	120	70	105	95	132	278
YXR1073-26	M60	10.5	20	M60x5.5-6g	90	32	120	70	105	95	132	278
YXR1073-27	M64	10.7	20	M64x6.0-6g	95	32	120	70	105	95	132	278
YXR1073-28	M72-3	23	25	M72x6.0-6g	108	40	125	80	158	142	174	339
YXR1073-29	M80-3	24	30	M80x6.0-6g	120	40	125	80	158	142	174	339
YXR1073-30	M90-S	26	35	M90x6.0-6g	135	40	125	80	158	142	174	339
YXR1073-31	M100-S	26	35	M100x6.0-6g	135	40	125	80	158	142	174	339
YXR1073-32	M72-B	34	28	M72x6.0-6g	108	48	136.5	90	169	155	172.5	357.5
YXR1073-33	M80-B	35.5	35	M80x6.0-6g	120	48	136.5	90	169	155	172.5	357.5
YXR1073-34	M90-B	37.5	40	M90x6.0-6g	135	48	136.5	90	169	155	172.5	357.5
YXR1073-35	M100-B	39	40	M100x6.0-6g	135	48	136.5	90	169	155	172.5	357.5
YXR1073-36	M110	41	50	M110x6.0-6g	135	48	136.5	90	169	155	172.5	357.5
YXR1073-37	M120	43	50	M120x6.0-6g	135	48	136.5	90	169	155	172.5	357.5
YXR1073-38	M130	45	50	M130x6.0-6g	135	48	136.5	90	198	155	172.5	357.5
YXR1073-39	M140	47	50	M140x6.0-6g	135	48	136.5	90	198	155	172.5	357.5
YXR1073-40	M150	49.5	50	M150x6.0-6g	135	48	136.5	90	198	155	172.5	357.5

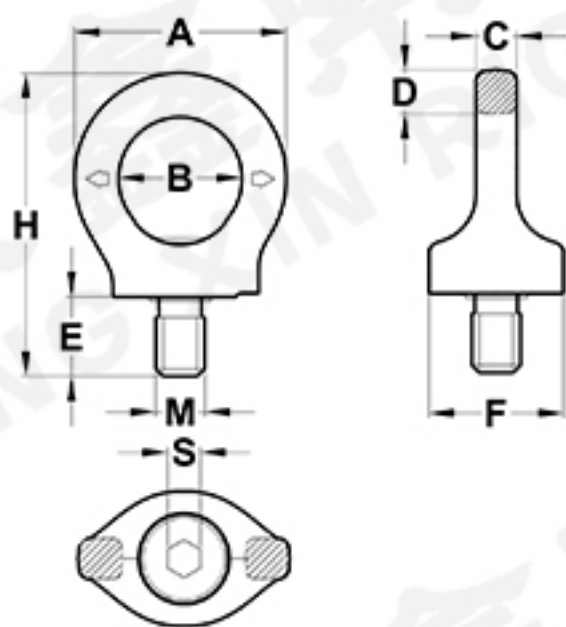
◆ Ultimate Load at 4 Times the Working Load Limit.

G80 SWIVEL HOIST RING (NUT)



ITEM NO.	SIZE	WEIGHT (KG)	WLL (T)	THREAD (M)	DIMENSIONS (MM)							
					F	A	B	C	D	E	G	T
YXR1074-01	M8	0.5	0.4	M8x1.25-6H	15	12	44	30	40	37	68	120
YXR1074-02	M10	0.5	0.6	M10x1.5-6H	15	12	44	30	40	37	68	120
YXR1074-03	M12	0.5	0.7	M12x1.75-6H	15	12	44	30	40	37	68	120
YXR1074-04	M14	0.5	1.25	M14x2.0-6H	20	12	44	30	40	37	74	126
YXR1074-05	M16	0.5	1.5	M16x2.0-6H	20	20	44	30	40	37	74	126
YXR1074-06	M18	2.5	2	M18x2.5-6H	25	20	67	40	70	64.3	111	195
YXR1074-07	M20	2.5	2.5	M20x2.5-6H	25	20	67	40	70	64.3	111	195
YXR1074-08	M22	2.5	2.5	M22x2.5-6H	25	20	67	40	70	64.3	111	195
YXR1074-09	M24	2.5	4	M24x3.0-6H	30	20	67	40	70	64.3	114	198
YXR1074-10	M30	4	6	M30x3.0-6H	40	22	95	51	79	74	144	259
YXR1074-11	M33	4	7.5	M33x3.5-6H	40	22	95	51	79	74	144	259
YXR1074-12	M36	4	10	M36x3.5-6H	45	22	95	51	79	74	144	259
YXR1074-13	M39	4	10	M39x4.0-6H	45	22	95	51	79	74	144	259
YXR1074-14	M42	6	13	M42x4.5-6H	63	26	108	65	93	85	168.5	298.5
YXR1074-15	M45	6	13	M45x4.5-6H	68	26	108	65	93	85	176.5	306.5
YXR1074-16	M48	6	14	M48x5.0-6H	68	26	108	65	93	85	176.5	306.5
YXR1074-17	M52	11	20	M52x5.0-6H	84	32	120	70	105	95	228	374
YXR1074-18	M56	11	20	M56x5.5-6H	84	32	120	70	105	95	228	374
YXR1074-19	M60	11	20	M60x5.5-6H	90	32	120	70	105	95	235	381
YXR1074-20	M64	11	20	M64x6.0-6H	95	32	120	70	105	95	241	387
YXR1074-21	M72	31	31.5	M72x6.0-6H	108	48	136.5	90	169	155	289.5	474.5
YXR1074-22	M80	32	35	M80x6.0-6H	120	48	136.5	90	169	155	294.5	479.5
YXR1074-23	M90	34	40	M90x6.0-6H	135	48	136.5	90	169	155	330.5	515.5
YXR1074-24	M100	36.5	40	M100x6.0-6H	135	48	136.5	90	169	155	330.5	515.5

◆ Ultimate Load at 4 Times the Working Load Limit.

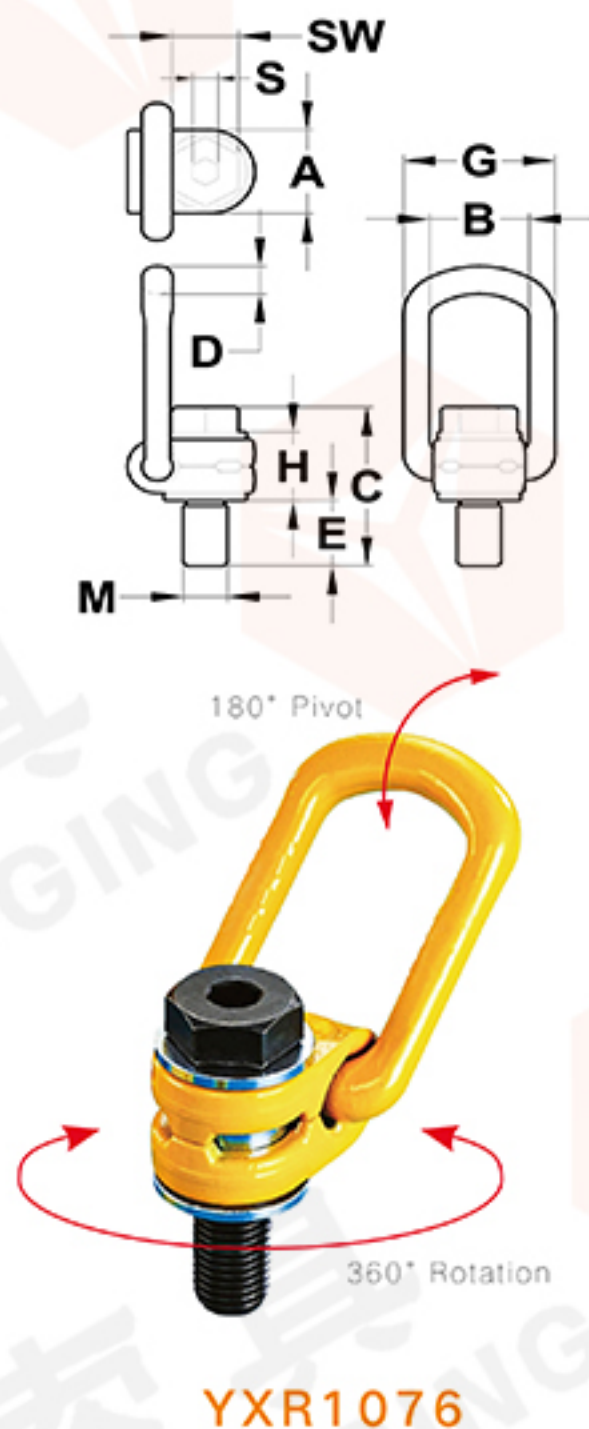


G80 KEY EYE POINT

ITEM NO.	SIZE	WEIGHT (KG)	WLL (T)	THREAD (M)	DIMENSIONS (MM)							
					E	A	B	C	D	F	H	S
YXR1075-01	M8	0.15	0.3	M8x1.25-6g	12	44	25	8	9.5	26	61.5	6
YXR1075-02	M10	0.15	0.4	M10x1.5-6g	15	44	25	8	9.5	26	64.5	6
YXR1075-03	M12	0.2	0.75	M12x1.75-6g	18	52	30	10	11	32	76	8
YXR1075-04	M14	0.2	0.75	M14x2.0-6g	18	52	30	10	11	32	76	8
YXR1075-05	M16	0.35	1.5	M16x2.0-6g	24	61	35	14	13	39	91	10
YXR1075-06	M18	0.35	1.5	M18x2.5-6g	24	61	35	14	13	39	91	10
YXR1075-07	M20	0.6	2.3	M20x2.5-6g	30	70	40	16	15	47	108	12
YXR1075-08	M22	0.6	2.3	M22x2.5-6g	30	70	40	16	15	47	108	12
YXR1075-09	M24	1	3.2	M24x3.0-6g	36	84	48	19	18	55	127	14
YXR1075-10	M27	1	3.2	M27x3.0-6g	36	84	48	19	18	55	127	14
YXR1075-11	M30	2	4.5	M30x3.5-6g	45	105	60	24	22.5	67	159	17
YXR1075-12	M33	2	4.5	M33x3.5-6g	45	105	60	24	22.5	67	159	17
YXR1075-13	M36	3	7	M36x4.0-6g	54	126	72	29	27	85	195	22
YXR1075-14	M42	5	9	M42x4.5-6g	63	147	82	34	32.5	98	225.5	22
YXR1075-15	M48	7.5	12	M48x5.0-6g	72	168	96	38	36	114	259	27

◆ Ultimate Load at 4 Times the Working Load Limit.

G80 LIFTING POINT



YXR1076

ITEM NO.	SIZE	WT (KG)	WLL (T)	THREAD (M)	TORQUE IN (NM)	DIMENSIONS (MM)									
						E	A	B	C	D	F	G	H	S	SW
YXR1076-01	M8	0.5	0.3	M8x1.25-6g	30	11	34	37	42	14	98.5	57	36	6	13
YXR1076-02	M10	0.5	0.63	M10x1.5-6g	60	16	34	37	43	14	98.5	57	36	6	16
YXR1076-03	M12	0.5	1	M12x1.75-6g	100	18	34	37	45	14	98.5	57	36	8	18
YXR1076-04	M14	0.5	1.2	M14x2.0-6g	120	21	34	37	46	14	98.5	57	36	10	21
YXR1076-05	M16	0.5	1.5	M16x2.0-6g	150	24	34	37	48	14	98.5	57	36	10	24
YXR1076-06	M18	1.5	2	M18x2.5-6g	200	26	50	54	57	16.5	143	82	44	12	27
YXR1076-07	M20	1.5	2.5	M20x2.5-6g	250	30	50	54	58	16.5	143	82	44	12	30
YXR1076-08	M22	1.5	3	M22x2.5-6g	300	30	50	54	60	16.5	143	82	44	12	34
YXR1076-09	M24	1.5	4	M24x3.0-6g	400	36	50	54	61	16.5	143	82	44	14	36
YXR1076-10	M27	3	4	M27x3.0-6g	400	38	60	65	80	22	170	99	62	17	41
YXR1076-11	M30	3.5	5	M30x3.5-6g	500	48	60	65	82	22	170	99	62	17	46
YXR1076-12	M33	3.5	6	M33x3.5-6g	600	54	60	65	85	22	174	99	60	22	55
YXR1076-13	M36S	3.5	7	M36x4.0-6g	700	54	60	65	85	22	174	99	60	22	55
YXR1076-14	M36B	6	8	M36x4.0-6g	800	62	77	85	104	27	226.5	123	79	22	55
YXR1076-15	M39	6	8	M39x4.0-6g	800	62	77	85	104	27	226.5	123	79	22	55
YXR1076-16	M42S	6.5	10	M42x4.5-6g	1000	72	77	85	106	27	226.5	123	79	22	65
YXR1076-1	M42B	11	15	M42x4.5-6g	1500	63	95	104	117	36	257.5	158	90	22	65
YXR1076-18	M45	11	15	M45x4.5-6g	1600	63	95	104	117	36	257.5	158	90	22	65
YXR1076-19	M48	12	20	M48x5.0-6g	2000	72	95	104	120	36	257.5	158	90	27	75
YXR1076-20	M52	12	20	M52x5.0-6g	2000	72	95	104	120	36	257.5	158	90	27	75
YXR1076-21	M56	15	22	M56x5.5-6g	2100	84	95	104	117	36	257.5	158	90	27	85
YXR1076-22	M64	16.3	22.5	M64x6.0-6g	2200	100	114	104	138	36	264.5	158	103	32	95

◆ Ultimate Load at 4 Times the Working Load Limit.

G80 SWIVEL HOIST RING



YXR1077

ITEM NO.	SIZE	WT (KG)	WLL (T)	THREAD (M)	TORQUE IN (NM)	DIMENSIONS (MM)									
						L	A	B	C	D	F	K	H	S	
YXR1077-01	M8	0.8	0.5	M8x1.25-6g	30	12	50.5	37	76	14	101.5	49.5	38	8	
YXR1077-02	M10	0.8	0.7	M10x1.5-6g	60	16	50.5	37	76	14	101.5	49.5	38	8	
YXR1077-03	M12	0.8	1	M12x1.75-6g	100	18	50.5	37	76	14	101.5	49.5	38	8	
YXR1077-04	M14	0.8	1.5	M14x2.0-6g	120	21	50.5	37	76	14	101.5	49.5	38	8	
YXR1077-05	M16	0.8	2	M16x2.0-6g	150	24	50.5	37	76	14	101.5	49.5	38	8	
YXR1077-06	M18	1.9	2.5	M18x2.5-6g	200	40	73	54	106	20	145	77	48	12	
YXR1077-07	M20	2	3	M20x2.5-6g	250	40	73	54	106	20	145	77	48	12	
YXR1077-08	M22	2.1	3	M22x2.5-6g	250	40	73	54	106	20	145	77	48	12	
YXR1077-09	M24	2.5	4.5	M24x3.0-6g	400	40	73	54	106	20	145	77	48	12	
YXR1077-20	M27	5.5	5	M27x3.0-6g	450	40	98.5	73	149	30	201.5	103.5	68	17	
YXR1077-21	M30	5.5	7.3	M30x3.5-6g	500	45	98.5	73	149	30	201.5	103.5	68	17	
YXR1077-23	M33	5.5	8	M33x3.5-6g	800	50	98.5	73	149	30	201.5	103.5	68	17	
YXR1077-24	M36	5.5	10	M36x4.0-6g	1000	54	98.5	73	149	30	201.5	103.5	68	17	
YXR1077-25	M39	6	10	M39x4.0-6g	1200	58	98.5	73	149	30	201.5	103.5	68	17	
YXR1077-26	M42	6	12.5	M42x4.5-6g	1500	63	98.5	73	149	30	201.5	103.5	68	17	
YXR1077-27	M45	6	15	M45x4.5-6g	1800	63	98.5	73	149	30	201.5	103.5	68	17	
YXR1077-28	M48S	6.5	16	M48x5.0-6g	2000	63	98.5	73	149	30	201.5	101.5	70	17	
YXR1077-29	M48	11.5	20	M48x5.0-6g	2000	68	120	93	182	36	249	125	84	19	
YXR1077-30	M52	12	20	M52x5.0-6g	2000	68	120	93	182	36	249	125	84	19	
YXR1077-31	M56	12	25	M56x5.5-6g	2100	78	120	93	182	36	249	125	84	19	
YXR1077-32	M64	13	32	M64x6.0-6g	2200	90	120	93	182	36	249	125	88	19	

◆ Ultimate Load at 4 Times the Working Load Limit.