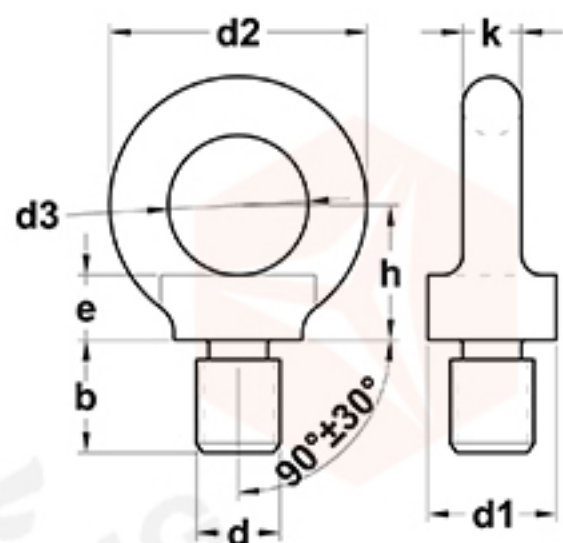


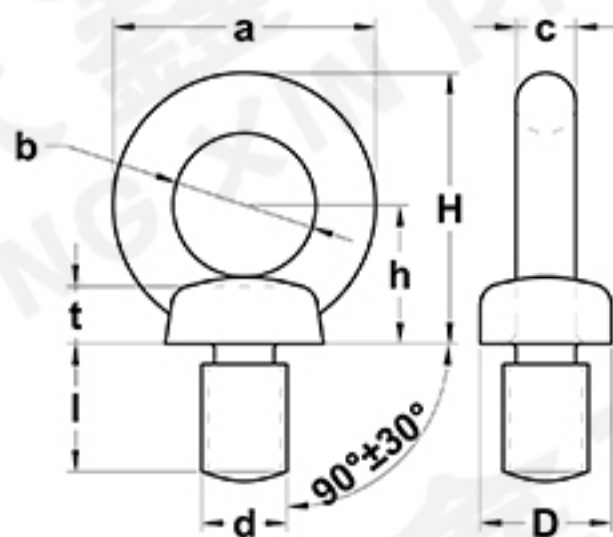
DIN580 EYE BOLT



YXR1056

ITEM NO.	SIZE (D)	WLL (T)	WEIGHT PER 100 (KG)	DIMENSIONS (MM)						
				d1	d2	d3	b	e	h	k
YXR1056-01	M6	0.08	5	20	36	20	13	6	18	8
YXR1056-02	M8	0.14	6	20	36	20	13	6	18	8
YXR1056-03	M10	0.23	11	25	45	25	17	8	22.5	10
YXR1056-04	M12	0.34	18	30	54	30	20.5	10	26	12
YXR1056-05	M14	0.49	28	35	63	35	27	12	30.5	14
YXR1056-06	M16	0.7	28	35	63	35	27	12	30.5	14
YXR1056-07	M18	0.93	45	40	72	40	30	14	35	16
YXR1056-08	M20	1.2	45	40	72	40	30	14	35	16
YXR1056-09	M22	1.5	67	45	81	45	35	16	40	18
YXR1056-10	M24	1.8	87	50	90	50	36	18	45	20
YXR1056-11	M27	2.5	88	50	90	50	36	18	45	20
YXR1056-12	M30	3.6	166	65	108	60	45	22	55	24
YXR1056-13	M33	4.3	172	65	108	60	45	22	55	24
YXR1056-14	M36	5.1	265	75	126	70	54	26	65	28
YXR1056-15	M39	6.1	280	75	126	70	54	26	65	28
YXR1056-16	M42	7.0	403	85	144	80	63	30	75	32
YXR1056-17	M45	8.0	425	85	144	80	63	30	75	32
YXR1056-18	M48	8.6	638	100	166	90	68	35	85	38
YXR1056-19	M52	9.9	660	100	166	90	68	35	85	38
YXR1056-20	M56	11.5	890	110	184	100	78	38	95	42
YXR1056-21	M64	16.0	1240	120	206	110	90	42	105	48
YXR1056-22	M72	20	23300	150	260	140	100	50	130	60
YXR1056-23	M80	28	34200	170	296	160	112	55	150	68
YXR1056-24	M100	40	49100	190	330	180	130	60	165	75

◆ Ultimate Load at 4 Times the Working Load Limit.



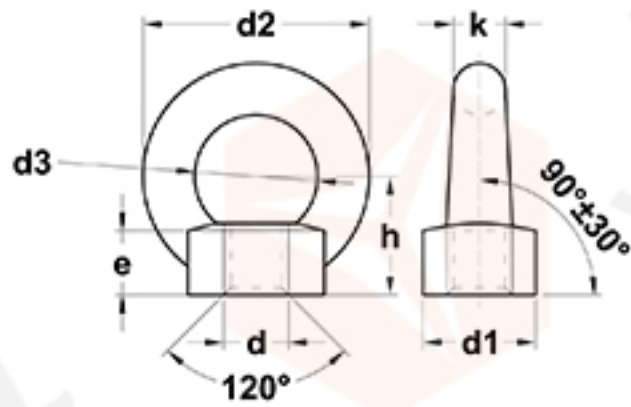
YXR1057

JIS B 1168-1994 EYE BOLT

ITEM NO.	SIZE (D)	WLL (T)	WEIGHT (KG)	DIMENSIONS (MM)									
				a	b	c	D	t	h	H	l	t	
YXR1057-01	M8	0.785	0.03	32.6	20	6.3	16	5	17	33.3	15	5	
YXR1057-02	M10	1.47	0.06	41	25	8	20	7	21	41.5	18	7	
YXR1057-03	M12	2.16	0.12	50	30	10	25	9	26	51	22	9	
YXR1057-04	M16	4.41	0.22	60	35	12.5	30	11	30	60	27	11	
YXR1057-05	M20	6.18	0.4	72	40	16	30	13	35	71	30	13	
YXR1057-06	M24	9.32	0.8	90	50	20	45	18	45	90	38	18	
YXR1057-07	M30	14.7	1.54	110	60	25	60	22	55	110	45	22	
YXR1057-08	M36	22.6	2.83	133	70	31.5	70	26	65	131.5	55	26	

◆ Ultimate Load at 4 Times the Working Load Limit.

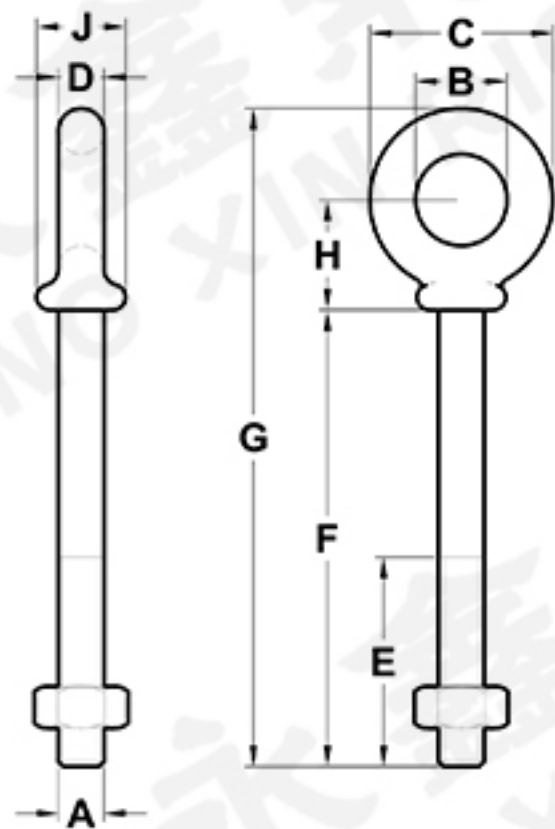
DIN582 EYE NUT



YXR1058

ITEM NO.	SIZE (D)	WLL (T)	WEIGHT PER 100 (KG)	DIMENSIONS (MM)					
				d1	d2	d3	e	h	k
YXR1058-01	M6	0.08	4.5	20	36	20	8.5	18	8
YXR1058-02	M8	0.14	5	20	36	20	8.5	18	8
YXR1058-03	M10	0.23	9	25	45	25	10	22.5	10
YXR1058-04	M12	0.34	16	30	54	30	11	26	12
YXR1058-05	M14	0.49	24	35	63	35	13	30.5	14
YXR1058-06	M16	0.7	24	35	63	35	13	30.5	14
YXR1058-07	M18	0.93	36	40	72	40	16	35	16
YXR1058-08	M20	1.2	36	40	72	40	16	35	16
YXR1058-09	M22	1.5	38	45	81	45	18	40	18
YXR1058-10	M24	1.8	72	50	90	50	20	45	20
YXR1058-11	M27	2.5	70	50	90	50	20	45	20
YXR1058-12	M30	3.6	132	65	108	60	25	55	24
YXR1058-13	M33	4.3	130	65	108	60	25	55	24
YXR1058-14	M36	5.1	208	75	126	70	30	65	28
YXR1058-15	M39	6.1	202	75	126	70	30	65	28
YXR1058-16	M42	7	311	85	144	80	35	75	32
YXR1058-17	M45	8	304	85	144	80	35	75	32
YXR1058-18	M48	8.6	502	100	166	90	40	85	38
YXR1058-19	M52	9.9	495	100	166	90	40	85	38
YXR1058-20	M56	11.5	669	110	184	100	45	95	42
YXR1058-21	M64	16	930	120	206	110	50	105	48
YXR1058-22	M72	20	1850	150	260	140	60	130	60
YXR1058-23	M80	28	2730	170	296	160	70	150	68
YXR1058-24	M100	40	3640	190	330	180	80	165	75

◆ Ultimate Load at 4 Times the Working Load Limit.



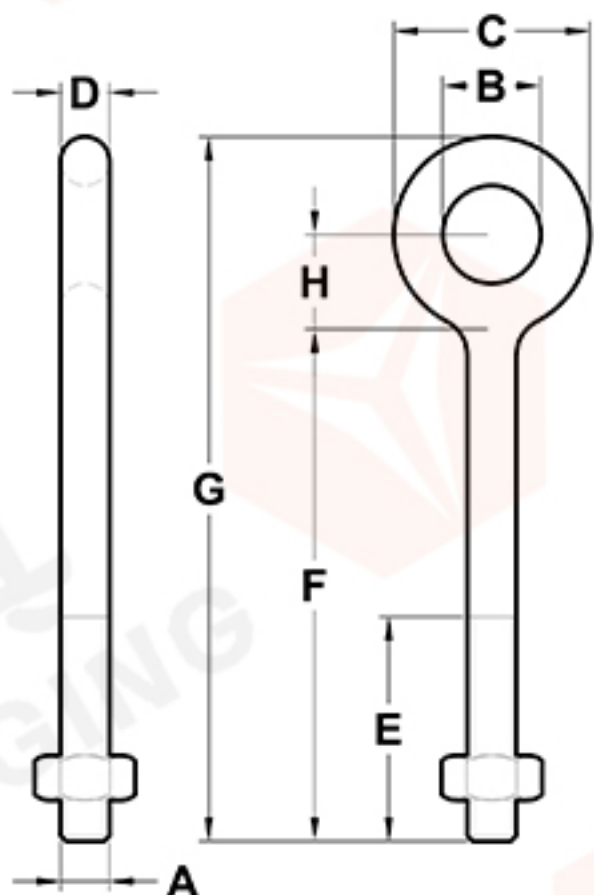
YXR1059

US TYPE FORGED SHOULDER NUT EYE BOLTS G277

ITEM NO.	SIZE (IN.)	WLL (LBS.)	WEIGHT PER 100 (LBS.)	DIMENSIONS (IN.)								
				A	B	C	D	E	F	G	H	J
YXR1059-01	1/4 × 2	650	6.6	0.25	0.5	0.88	0.19	1.5	2	2.94	0.5	0.47
YXR1059-02	1/4 × 4	650	9.1	0.25	0.5	0.88	0.19	2.5	4	4.94	0.5	0.47
YXR1059-03	5/16 × 2-1/4	1200	12.5	0.31	0.62	1.12	0.25	1.5	2.25	3.5	0.69	0.56
YXR1059-04	5/16 × 4-1/4	1200	18.8	0.31	0.62	1.12	0.25	2.5	4.25	5.5	0.69	0.56
YXR1059-05	3/8 × 2-1/2	1550	21.4	0.38	0.75	1.38	0.31	1.5	2.5	3.97	0.78	0.66
YXR1059-06	3/8 × 4-1/2	1550	25.3	0.38	0.75	1.38	0.31	2.5	4.5	5.97	0.78	0.66
YXR1059-07	1/2 × 3-1/4	2600	42.6	0.5	1	1.75	0.38	1.5	3.25	5.12	1	0.91
YXR1059-08	1/2 × 6	2600	56.8	0.5	1	1.75	0.38	3	6	7.88	1	0.91
YXR1059-09	5/8 × 4	5200	68.6	0.62	1.25	2.25	0.5	2	4	6.44	1.31	1.12
YXR1059-10	5/8 × 6	5200	102.4	0.62	1.25	2.25	0.5	3	6	8.44	1.31	1.12
YXR1059-11	3/4 × 4-1/2	7200	144.5	0.75	1.5	2.75	0.62	2	4.5	7.44	1.56	1.38
YXR1059-12	3/4 × 6	7200	167.5	0.75	1.5	2.75	0.62	3	6	8.94	1.56	1.38
YXR1059-13	7/8 × 5	10600	225	0.88	1.75	3.25	0.75	2.5	5	8.46	1.84	1.56
YXR1059-14	1 × 6	13300	366.3	1	2	3.75	0.88	3	6	9.97	2.09	1.81
YXR1059-15	1 × 9	13300	422.5	1	2	3.75	0.88	4	9	12.97	2.09	1.81
YXR1059-16	1-1/4 × 8	21000	650	1.25	2.5	4.5	1	4	8	12.72	2.47	2.28
YXR1059-17	1-1/4 × 12	21000	795	1.25	2.5	4.5	1	4	12	16.72	2.47	2.28
YXR1059-18	1-1/2 × 15	24000	1425	1.5	3	5.5	1.25	6	15	20.75	3	2.75

◆ Ultimate Load at 4 Times the Working Load Limit.

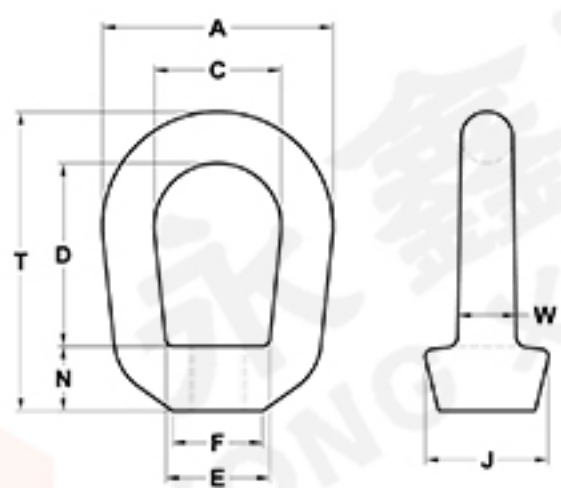
US TYPE REGULAR NUT EYE BOLTS G291



YXR1060

ITEM NO.	SIZE (IN.)	WLL (LBS.)	WEIGHT PER 100 (LBS.)	DIMENSIONS (IN.)							
				A	B	C	D	E	F	G	H
YXR1060-01	1/4 x 2	650	8.2	0.25	0.5	1	0.25	1.5	2	3.06	0.56
YXR1060-02	1/4 x 4	650	11.7	0.25	0.5	1	0.25	2.5	4	5.06	0.56
YXR1060-03	5/16 x 2-1/4	1200	13.3	0.31	0.62	1.25	0.31	1.5	2.25	3.56	0.69
YXR1060-04	5/16 x 4-1/4	1200	25	0.31	0.62	1.25	0.31	2.5	4.25	5.56	0.69
YXR1060-05	3/8 x 2-1/2	1550	23.3	0.38	0.75	1.5	0.38	1.5	2.5	4.12	0.88
YXR1060-06	3/8 x 4-1/2	1550	29.5	0.38	0.75	1.5	0.38	2.5	4.5	6.12	0.88
YXR1060-07	3/8 x 6	1550	35.2	0.38	0.75	1.5	0.38	2.5	6	7.62	0.88
YXR1060-08	1/2 x 3-1/4	2600	50.3	0.5	1	2	0.5	1.5	3.25	5.38	1.12
YXR1060-09	1/2 x 6	2600	66.1	0.5	1	2	0.5	3	6	8.12	1.12
YXR1060-10	1/2 x 8	2600	82	0.5	1	2	0.5	3	8	10.12	1.12
YXR1060-11	1/2 x 10	2600	88	0.5	1	2	0.5	3	10	12.12	1.12
YXR1060-12	1/2 x 12	2600	114.2	0.5	1	2	0.5	3	12	14.12	1.12
YXR1060-13	5/8 x 4	5200	103.1	0.62	1.25	2.5	0.62	2	4	6.69	1.44
YXR1060-14	5/8 x 6	5200	118.2	0.62	1.25	2.5	0.62	3	6	8.69	1.44
YXR1060-15	5/8 x 8	5200	135.1	0.62	1.25	2.5	0.62	3	8	10.69	1.44
YXR1060-16	5/8 x 10	5200	153.6	0.62	1.25	2.5	0.62	3	10	12.69	1.44
YXR1060-17	5/8 x 12	5200	167.1	0.62	1.25	2.5	0.62	4	12	14.69	1.44
YXR1060-18	3/4 x 4-1/2	7200	168.6	0.75	1.5	3	0.75	2	4.5	7.69	1.44
YXR1060-19	3/4 x 6	7200	184.5	0.75	1.5	3	0.75	3	6	9.19	1.69
YXR1060-20	3/4 x 8	7200	207.9	0.75	1.5	3	0.75	3	8	11.19	1.69
YXR1060-21	3/4 x 10	7200	235	0.75	1.5	3	0.75	3	10	13.19	1.69
YXR1060-22	3/4 x 12	7200	257.5	0.75	1.5	3	0.75	4	12	15.18	1.69
YXR1060-23	3/4 x 15	7200	298	0.75	1.5	3	0.75	5	15	18.19	1.69
YXR1060-24	7/8 x 5	10600	270	0.88	1.75	3.5	0.88	2.5	5	8.75	2
YXR1060-25	7/8 x 8	10600	308	0.88	1.75	3.5	0.88	4	8	11.75	2
YXR1060-26	7/8 x 12	10600	400	0.88	1.75	3.5	0.88	4	12	15.75	2
YXR1060-27	1 x 6	13300	421	1	2	4	1	3	6	10.31	2.31
YXR1060-28	1 x 9	13300	468.5	1	2	4	1	4	9	13.31	2.31
YXR1060-29	1 x 12	13300	540	1	2	4	1	4	12	16.31	2.31
YXR1060-30	1 x 18	13300	650	1	2	4	1	7	18	22.31	2.31
YXR1060-31	1-1/4 x 8	21000	750	1.25	2.5	5	1.25	4	8	13.38	2.88
YXR1060-32	1-1/4 x 12	21000	900	1.25	2.5	5	1.25	4	12	17.38	2.88
YXR1060-33	1-1/4 x 20	21000	1210	1.25	2.5	5	1.25	6	20	25.38	2.88

◆ Ultimate Load at 4 Times the Working Load Limit.



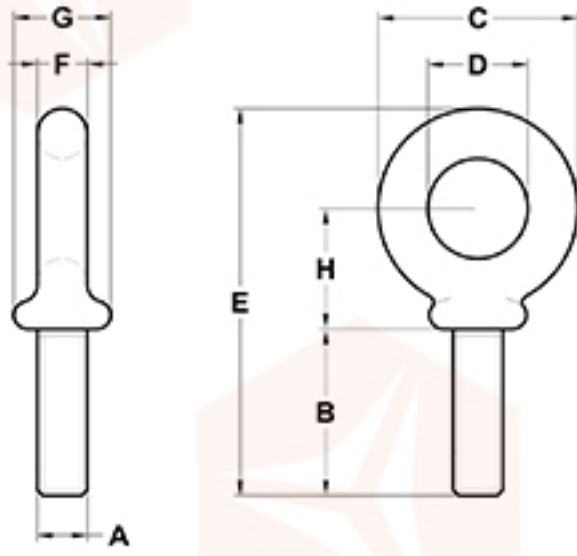
YXR1061

US TYPE FORGED EYE NUTS G400

ITEM NO.	SIZE (IN.)	WLL (LBS.)	WEIGHT PER 100 (LBS.)	DIMENSIONS (IN.)									
				A	C	D	E	F	J	K	N	T	W
YXR1061-01	1/4	520	0.09	1.25	0.75	1	0.75	0.5	0.69	0.63	0.38	1.72	0.31
YXR1061-02	3/8	1250	0.17	1.62	1	1.2	0.83	0.56	0.81	0.89	0.5	2.09	0.41
YXR1061-03	1/2	2250	0.28	2	1.25	1.44	1.08	0.81	1	1.09	0.62	2.55	0.5
YXR1061-04	5/8	3600	0.6	2.5	1.5	1.92	1.35	1	1.31	1.31	0.69	3.25	0.69
YXR1061-05	3/4	5200	1	3	1.75	2.38	1.59	1.12	1.5	1.5	0.88	3.89	0.84
YXR1061-06	7/8	7200	1.65	3.5	2	2.63	1.96	1.38	1.88	1.88	0.94	4.32	1
YXR1061-07	1	10000	2.69	4	2.25	3.06	2.21	1.56	2.13	2.13	1.07	5.01	1.19
YXR1061-08	1-1/4	15500	4.38	4.5	2.5	3.5	2.46	1.88	2.38	2.38	1.25	5.78	1.38
YXR1061-09	1-3/8	18500	5	5	2.75	4	2.69	2	2.56	2.56	1.38	6.51	1.5
YXR1061-10	1-1/2	22500	6.78	5.62	3.12	4.31	3.09	2.25	3	3	1.5	7.06	1.66
YXR1061-11	2	40000	14.6	7.12	4.1	6.2	4.09	3.13	3.75	3.75	2.06	9.91	1.94

◆ Ultimate Load at 4 Times the Working Load Limit.

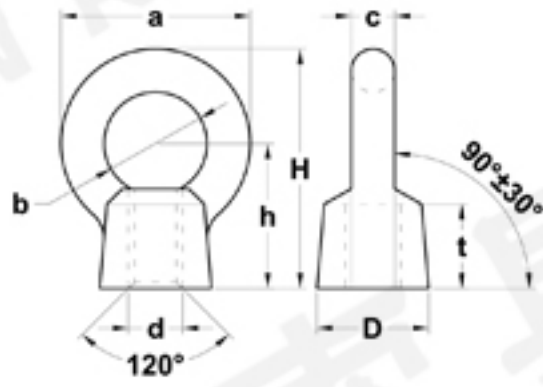
US TYPE FORGED MACHINERY EYE BOLTS S279



YXR1062

ITEM NO.	SIZE (IN.)	WLL (LBS.)	WEIGHT PER 100 (LBS.)	DIMENSIONS (IN.)							
				A	B	C	D	E	F	G	H
YXR1062-01	1/4 x 1	650	5	1/4-20	1.02	1.13	0.75	2.29	0.19	0.53	0.77
YXR1062-02	5/16 x 1-1/8	1200	9	5/16-18	1.15	1.38	0.88	2.74	0.25	0.59	0.95
YXR1062-03	3/8 x 1-1/4	1550	15	3/8-16	1.27	1.62	1	3.07	0.31	0.69	1.05
YXR1062-04	1/2 x 1-1/2	2600	28	1/2-13	1.53	1.95	1.19	3.7	0.38	0.91	1.27
YXR1062-05	5/8 x 1-3/4	5200	55	5/8-11	1.79	2.38	1.38	4.45	0.5	1.13	1.53
YXR1062-06	3/4 x 2	7200	96	3/4-10	2.05	2.76	1.5	5.07	0.63	1.38	1.71
YXR1062-07	7/8 x 2-1/4	10600	154	7/8-10	2.31	3.25	1.75	5.87	0.75	1.56	2
YXR1062-08	1 x 2-1/2	13300	238	1-8	2.57	3.76	2	6.66	0.88	1.81	2.3
YXR1062-09	1-1/8 x 2-3/4	15000	320	1-1/8-7	2.75	4.19	2.25	7.2	0.97	2.06	2.35
YXR1062-10	1-1/4 x 3	21000	399	1-1/4-7	3.09	4.5	2.5	7.95	1	2.28	2.73
YXR1062-11	1-1/2 x 3-1/2	24000	720	1-1/2-6	3.6	5.5	3	9.49	1.25	2.75	3.28
YXR1062-12	1-3/4 x 3-3/4	34000	1040	1-3/4-5	3.75	6.26	3.5	10.48	1.38	3	3.6
YXR1062-13	2 x 4	42000	1880	2-4-1/2	4	7.62	4	12.31	1.81	3.38	4.5
YXR1062-14	2-1/2 x 5	65000	3250	2-1/2-4	5	8.76	4.5	14.88	2.12	4.25	5.5

◆ Ultimate Load at 4 Times the Working Load Limit.



YXR1055

JIS B 1169-1994 EYE NUT

ITEM NO.	SIZE (D)	WLL (T)	WEIGHT (KG)	DIMENSIONS (MM)							
				A	B	C	D	T	H	H	R
YXR1055-01	M8	0.785	0.03	32.6	20	6.3	16	12	23	39.3	8
YXR1055-02	M10	1.47	0.06	41	25	8	20	15	28	48.5	10
YXR1055-03	M12	2.16	0.125	50	30	10	25	19	36	61	12
YXR1055-04	M16	4.41	0.23	60	35	12.5	30	23	42	72	14
YXR1055-05	M20	6.18	0.38	72	40	16	35	28	50	86	16
YXR1055-06	M24	9.32	0.8	90	50	20	45	38	66	111	20
YXR1055-07	M30	14.7	1.58	110	60	25	60	46	80	135	30
YXR1055-08	M36	22.6	2.75	133	70	31.5	70	55	95	161.5	35

◆ Ultimate Load at 4 Times the Working Load Limit.