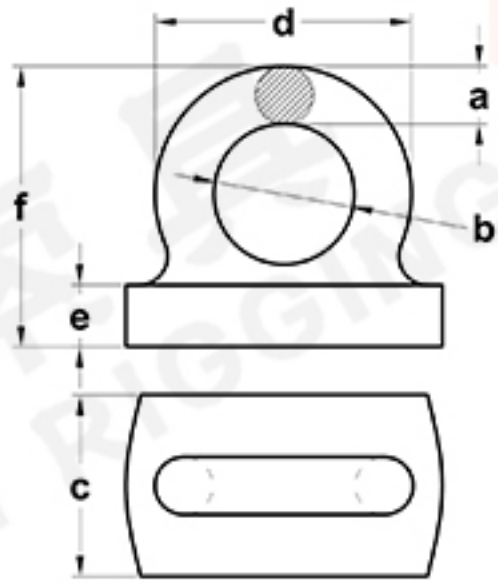


YXR1063

US TYPE PAD EYE S264

ITEM NO.	SIZE	WEIGHT PER 100 (LBS.)	DIMENSIONS (IN.)						
			B	C	D	E	G	H	L
YXR1063-01	0	2.8	0.25	0.19	0.63	0.31	0.63	0.09	0.75
YXR1063-02	1	6.5	0.38	0.25	0.88	0.41	0.88	0.13	1.03
YXR1063-03	1-1/2	10.4	0.63	0.25	1	0.44	1.13	0.16	1.31
YXR1063-04	2	21.1	0.75	0.38	1.06	0.5	1.5	0.19	1.63
YXR1063-05	4	52.2	1	0.56	1.44	0.78	2.13	0.22	2.34
YXR1063-06	5	82.5	1.25	0.69	1.75	0.81	2.63	0.25	2.75

◆ Ultimate Load at 4 Times the Working Load Limit.

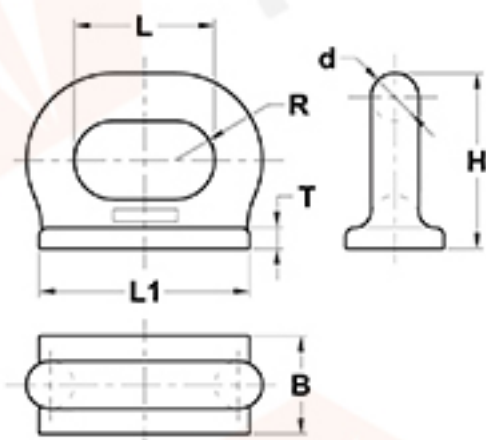


YXR1064

RECTANGULAR BASE EYE PLATES

ITEM NO.	DIAMETER SIZE A (IN.)	PL (T)	WEIGHT (KG)	DIMENSIONS (MM)					
				a	b	c	d	e	f
YXR1064-01	3/8	2.00	0.14	10	20	25	45	5	38
YXR1064-02	1/2	3.50	0.33	12	25	35	60	8	50
YXR1064-03	5/8	5.50	0.53	16	32	45	70	10	64
YXR1064-04	3/4	7.50	0.77	19	38	50	85	12	76
YXR1064-05	7/8	9.60	1.27	22	42	60	102	13	89
YXR1064-06	1	13.00	2.00	25	50	70	115	16	100
YXR1064-07	1-1/8	15.75	2.90	28	57	76	130	18	114
YXR1064-08	1-1/4	20.00	3.44	32	64	85	145	19	128
YXR1064-09	1-3/8	23.63	5.11	35	70	95	159	21	140
YXR1064-10	1-1/2	29.00	6.58	38	76	100	170	22	152
YXR1064-11	1-3/4	39.00	9.99	44	88	120	200	26	178
YXR1064-12	2	50.00	14.98	50	100	140	230	30	203

◆ Ultimate Load at 4 Times the Working Load Limit.

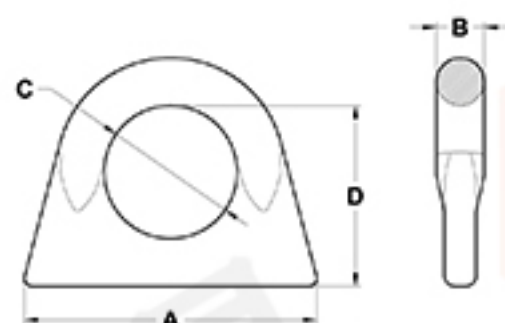


YXR1065

PAD EYES

ITEM NO.	SIZE	SWL (KN)	BL (KN)	DIMENSIONS (MM)						
				L	D	T	L1	B	H	R
YX1065-01	D3.0	29.4	117.6	85	28	15	130	60	106	25
YX1065-02	D5.0	49	196	100	34	15	150	70	125	28
YX1065-03	D7.5	73.5	294	115	42	20	180	100	147	30
YX1065-04	D10.0	98	392	135	50	20	210	120	162	32

◆ Ultimate Load at 4 Times the Working Load Limit.



YXR1066

EN13155 PAD EYES

ITEM NO.	SIZE	WLL (T)	MBL (KN)	WEIGHT (KG)	DIMENSIONS (MM)				
					A	B	C	D	E
YX1066-01	0.2T	0.2	7.8	0.07	55	9	23	34	6
YX1066-02	0.5T	0.5	19.6	0.13	68	12	31	42	6
YX1066-03	1T	1	39.2	0.22	85	14	41	54	8
YX1066-04	2T	2	78.4	0.44	105	19	47	63	10
YX1066-05	4T	4	156.9	1.1	148	25	65	77	14

◆ Ultimate Load at 4 Times the Working Load Limit.