

YXR1902

### SHACKLE HITCH RECEIVER

ITEM NO.	SIZE (IN.)	WORKING LOAD LIMIT (T)	WEIGHT EACH (KG)
YXR1902-01	2	4.75	3.4

- ◆ Process: Hitch Receiver is CNC, Shackle is Forging
- ◆ Material: Carbon Steel
- ◆ Surface: Powder Painted
- ◆ Fitting: Shackle Isolator, Hitch Pin, Washer etc

### CUSTOMIZED ON DEMAND Customized for Special Requirements



Customized surface treatment



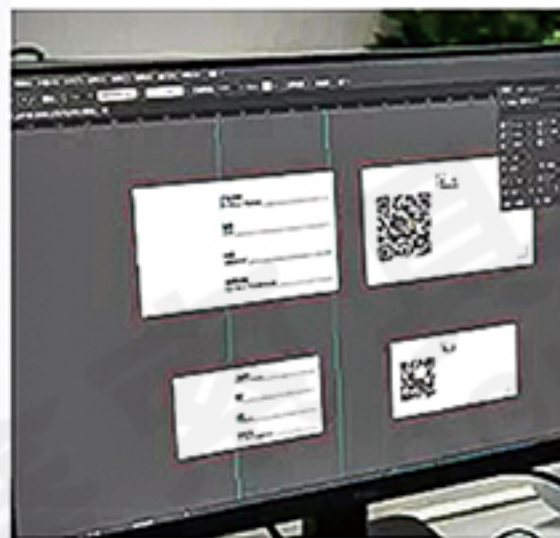
Logo customization



Color customization



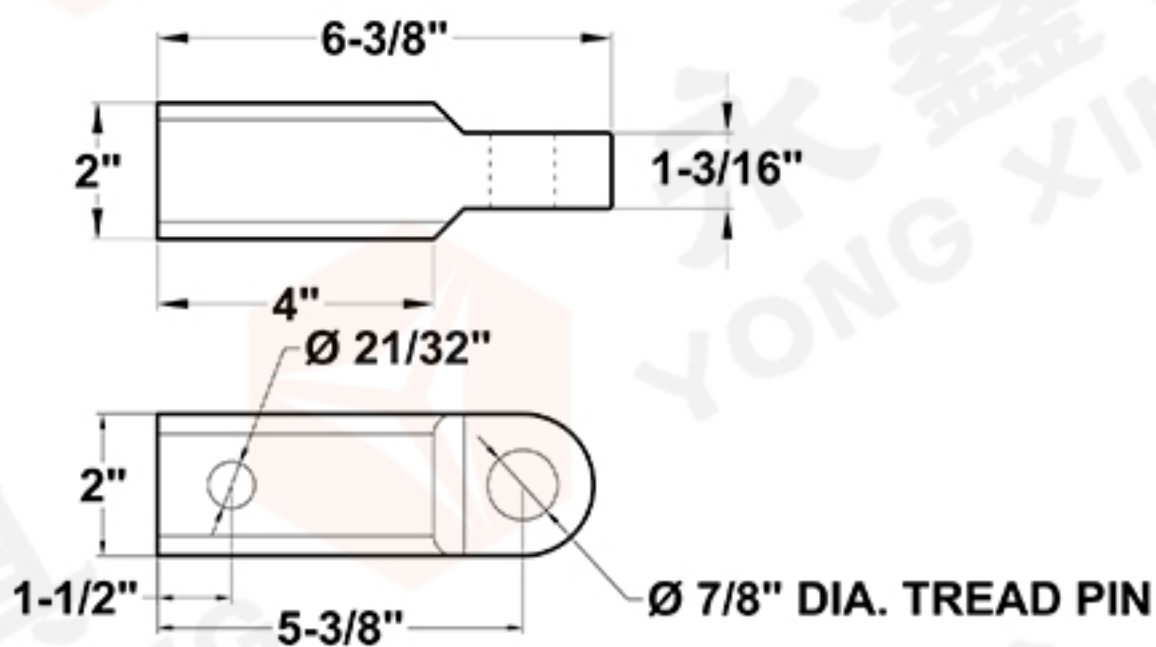
ODM



Label customization



Packaging customization

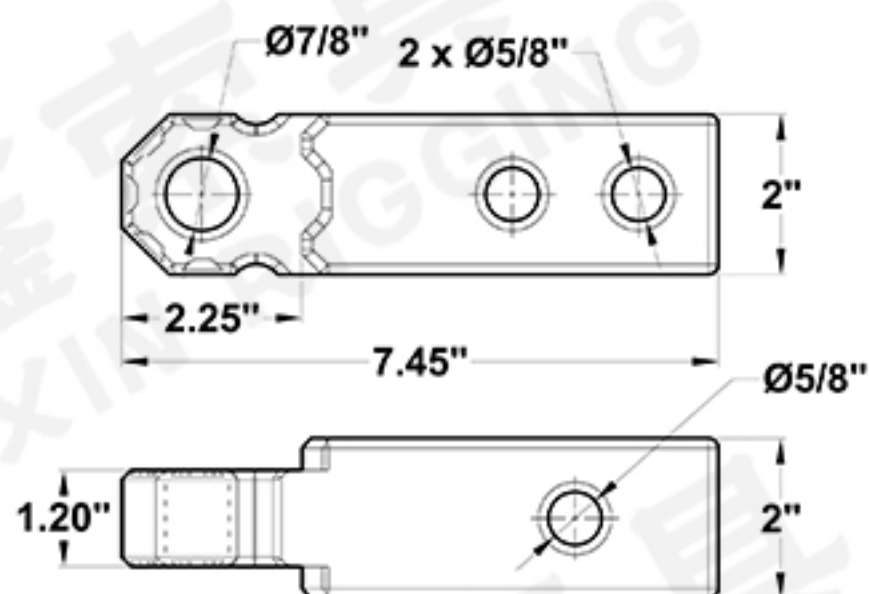


YXR1903

HITCH RECEIVER

ITEM NO.	SIZE (IN.)	WORKING LOAD LIMIT (T)	WEIGHT EACH (KG)
YXR1903-01	2	5	0.88

- ◆ Process: CNC
- ◆ Material: Aluminum Alloy
- ◆ Surface: Anodic Oxidation
- ◆ Fitting: D Ring Shackle, Shackle Isolator, Hitch Pin, Washer etc



YXR1904

HITCH RECEIVER

ITEM NO.	SIZE (IN.)	WORKING LOAD LIMIT (LBS)	WEIGHT EACH (KG)
YXR1904-01	2	13000	1.02

- ◆ Process: CNC
- ◆ Material: Aluminum Alloy
- ◆ Surface: Anodic Oxidation
- ◆ Fitting: D Ring Shackle, Shackle Isolator, Hitch Pin, Washer etc

